



Port & Company® Improved Two-Tone Small Duffel BG1040



This duffel has it all when it comes to value, style and on-the-go organization.

- 600 denier polyester with polyester dobby contrast
- Web handles with padded grip
- D-shaped zippered opening for easy access
- Detachable, adjustable shoulder strap
- Built-in bottom board for shape retention and strength
- Exterior mesh pocket
- Front pocket with hook and loop closure
- Four durable, protective feet
- Dimensions: 11”h x 19.75”w x 9.75”d; Approx. 2,118 cubic inches

Note: Bags not intended for use by children 12 and under. Includes a California Prop 65 and social responsibility [hangtag](#).

COLOR



Black/ Black
PMS 426 C



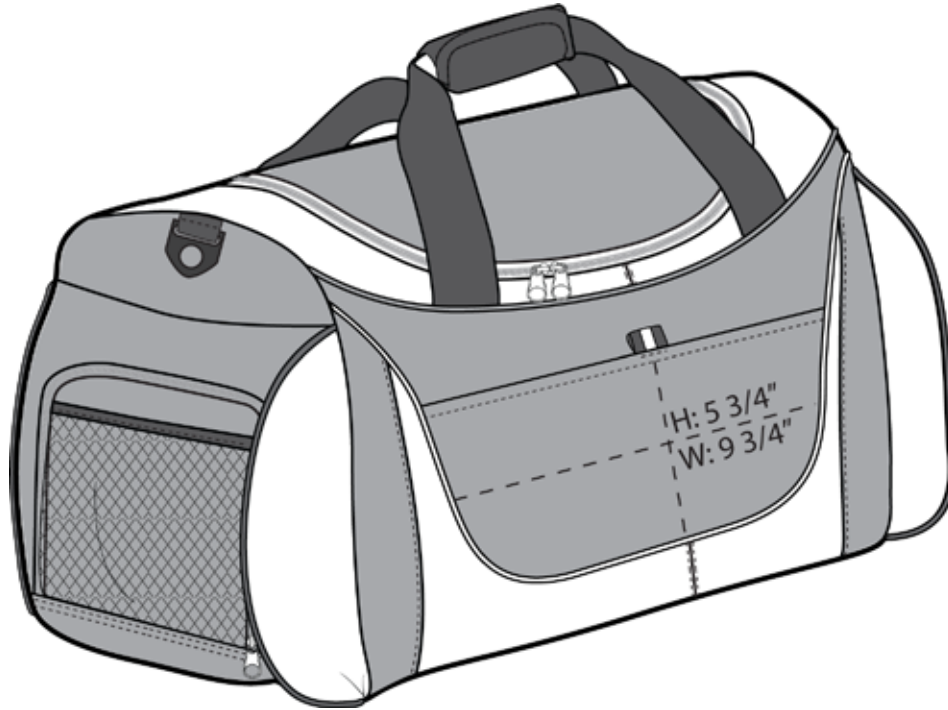
Navy/ Black
PMS 276 C



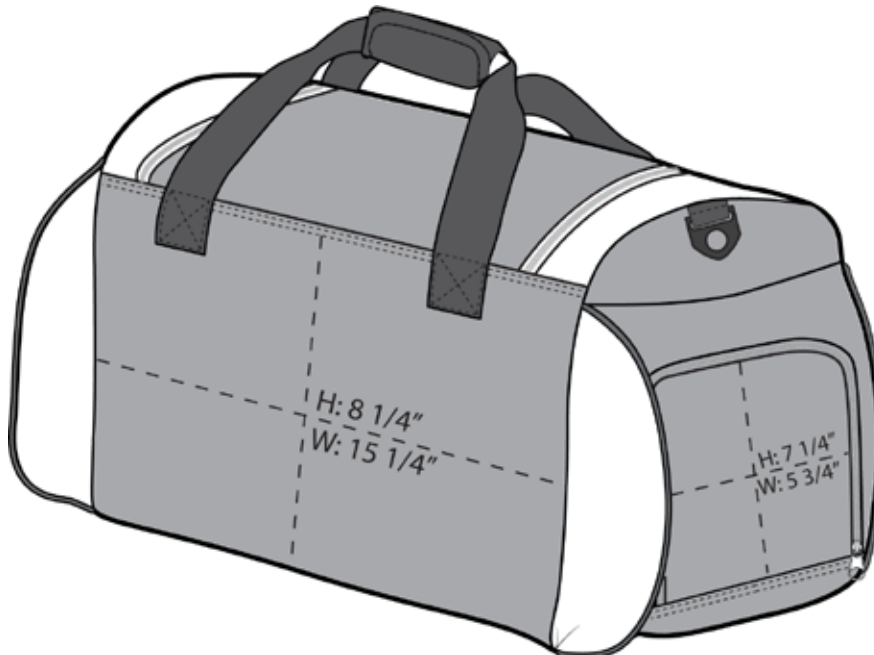
Red/ Black
PMS 187 C



Royal/ Black
PMS 7694 C



Front View



Back View

Note: Best graphic placement should be per the embellisher/screen printer recommendations.