



## Port & Company® Improved Two-Tone Medium Duffel BG1050



This duffel has it all when it comes to value, style and on-the-go organization.

- 600 denier polyester with polyester dobby contrast
- Web handles with padded grip
- D-shaped zippered opening for easy access
- Detachable, adjustable shoulder strap
- Built-in bottom board for shape retention and strength
- Exterior mesh pocket
- Front exterior pocket with hook and loop closure
- Four durable, protective feet
- Dimensions: 11.75"h x 27"w x 10"d; Approx. 3,173 cubic inches

Note: Bags not intended for use by children 12 and under. Includes a California Prop 65 and social responsibility [hangtag](#).

### COLOR



Black/ Black  
PMS 426 C



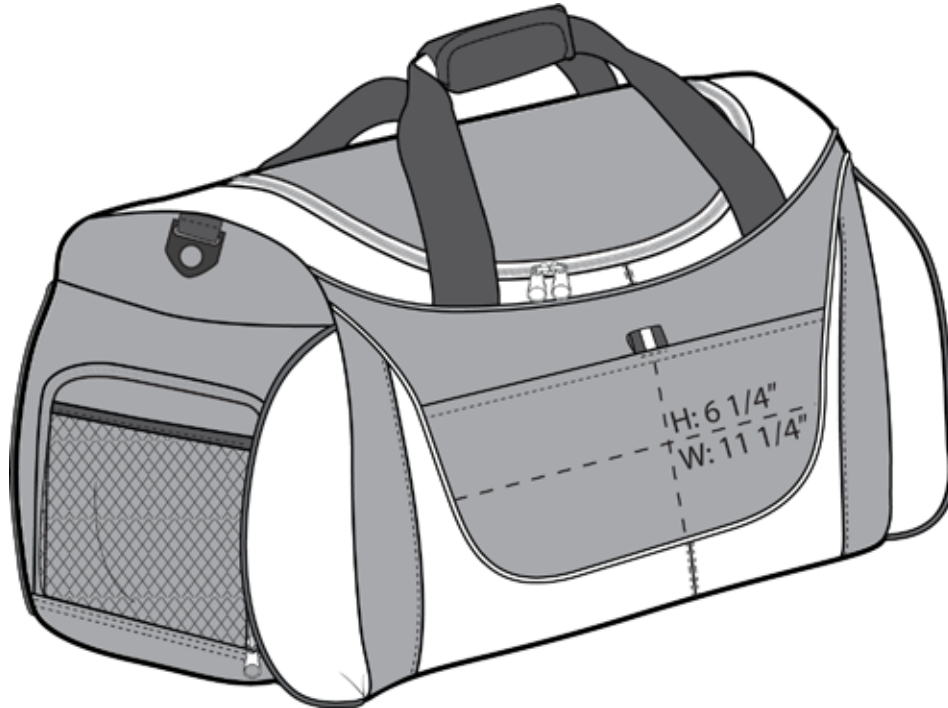
Navy/ Black  
PMS 276 C



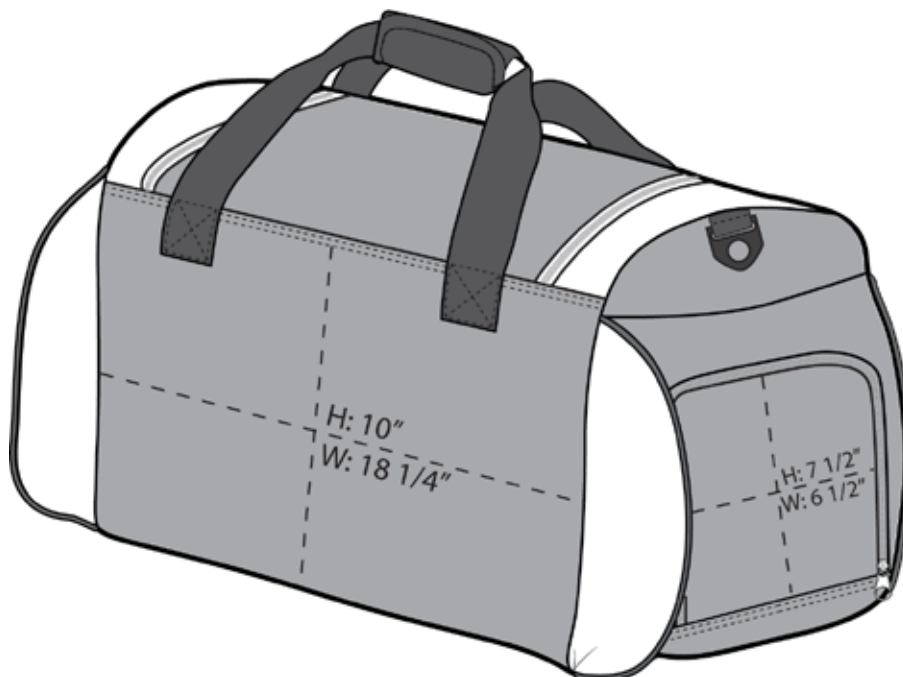
Red/ Black  
PMS 187 C



Royal/ Black  
PMS 7694 C



**Front View**



**Back View**

Note: Best graphic placement should be per the embellisher/screen printer recommendations.